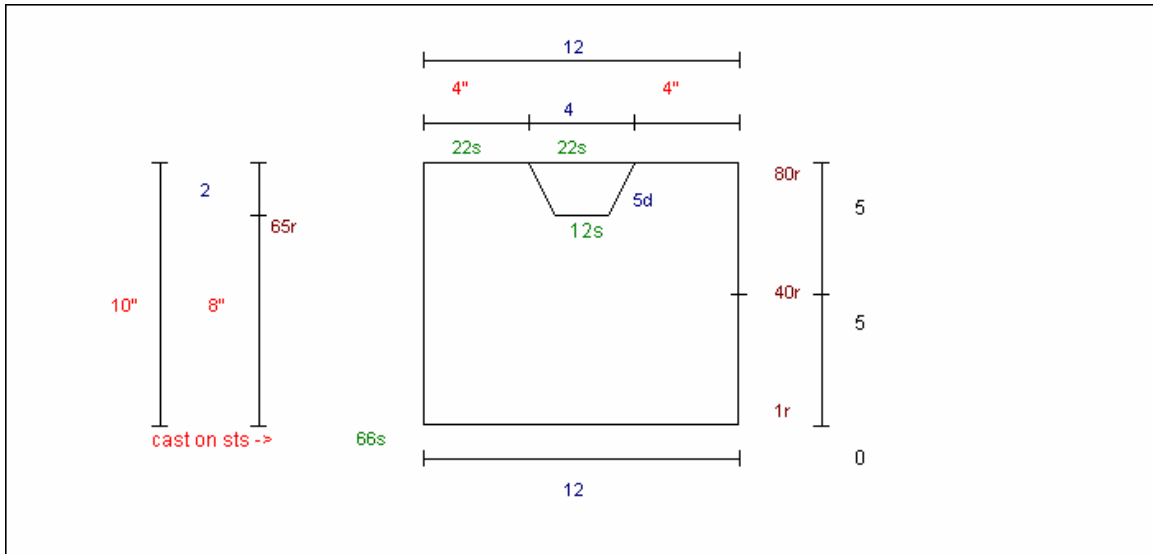


Nature Wool Mini Sweater



Size: 20 Gauge: 5.5 sts = 1" 8 rws = 1"
Estimated Ydg: 284

Back

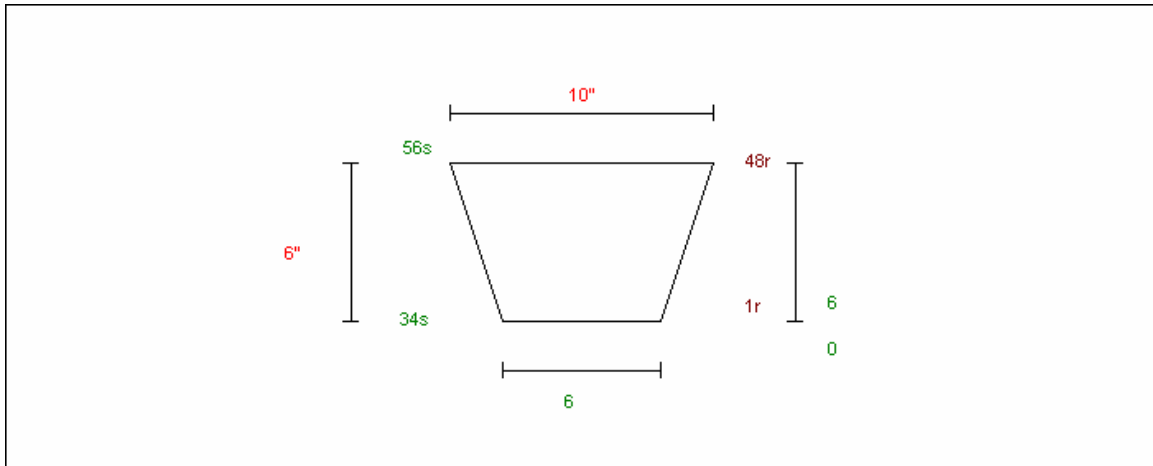
Cast on 66 sts. Work in stockinette st until piece meas 5"[row 40]. Place underarm markers. Continue in stockinette st until piece meas 10"[row 80]. Bind off 66 sts across back.

Front

Work as for back, including all shaping, and, at the same time when piece meas 8"[row 64]

Begin Neck Shaping

Work to center 12 sts, place center 12 sts on holder, attach another ball of yarn. Complete row. Working both sides at once, dec 1 st at each neck edge, every other row 5x. Continue in stockinette st until piece meas 10"[row 80]. Bind off 22 sts across each shoulder.



Sleeves

Cast on 34 sts.

Sleeve Increases

Work in stockinette st. Inc 1 st on each side every 3 rws 4x.

Then every 4 rws 7x. Continue in stockinette st until piece meas 6"[row 48]. Bind off 56 sts.

Finishing:

Work 1 row of crab stitch (backwards crochet) around neck edge, sleeves, sweater bottom.